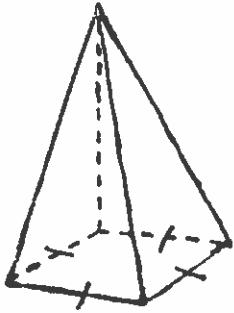


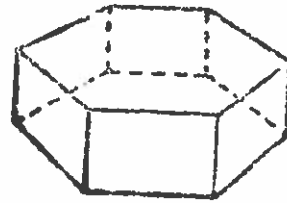
Geometry Ch 11 Test 11.5-11.8

1. Determine whether the solid is a polyhedron. If it is, name the polyhedron.

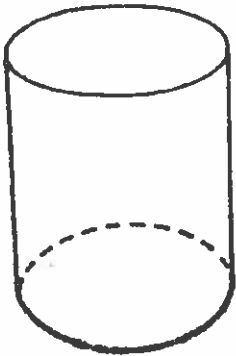
a.



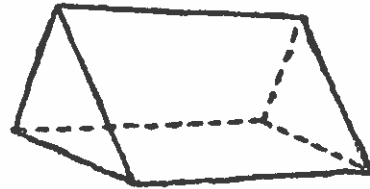
b.



c.



d.



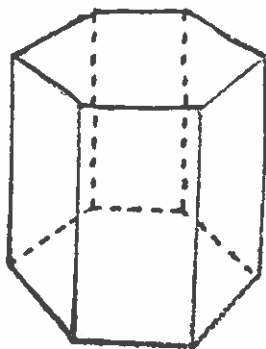
2. Use Euler's theorem to find the value of n .

a. Faces: n
Vertices: 12
Edges: 18

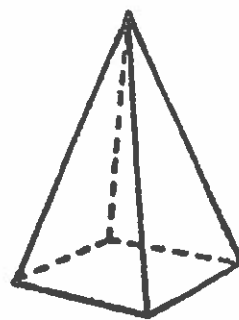
b. Faces: 5
Vertices: n
Edges: 8

3. Find the number of faces, vertices, and edges of the polyhedron.

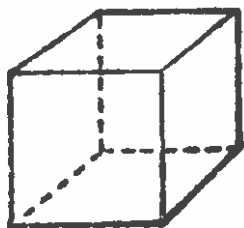
a.



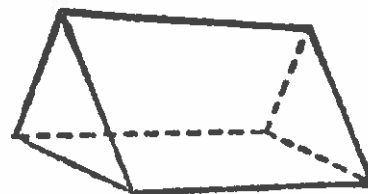
F :
V :
E :



F :
V :
E :

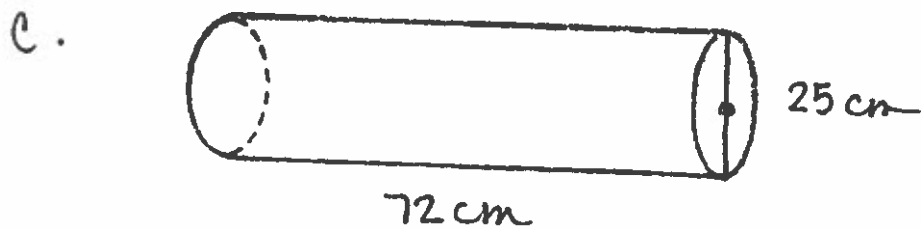
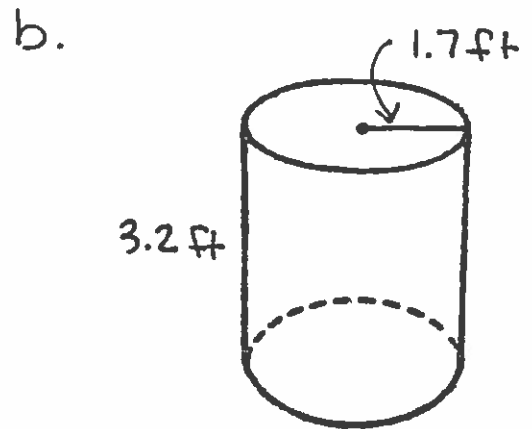
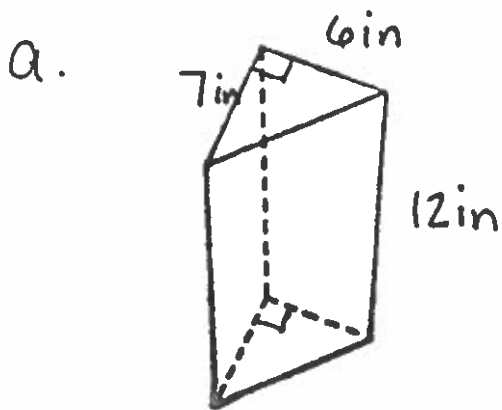


F :
V :
E :

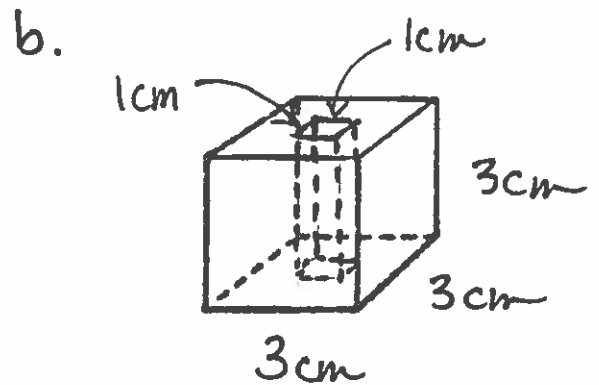
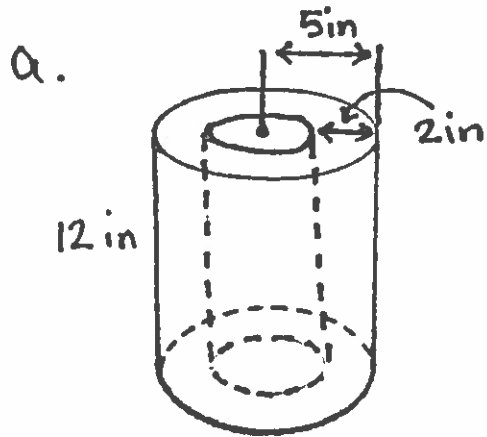


F :
V :
E :

4. Find the volume of the right prism or right cylinder.

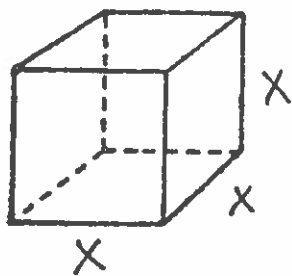


5. Find the volume of the solid.



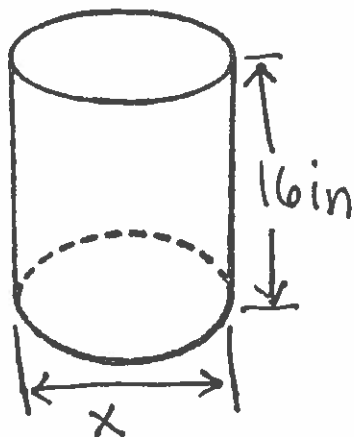
6. Find the length of x using the given volume V .

a.



$$\text{Volume} = 1500 \text{ m}^3$$

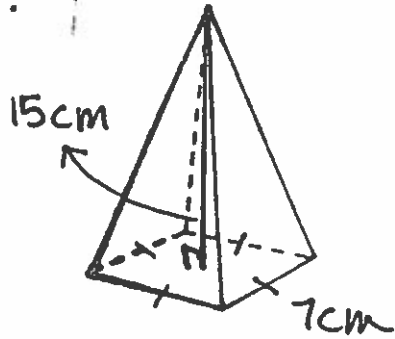
b.



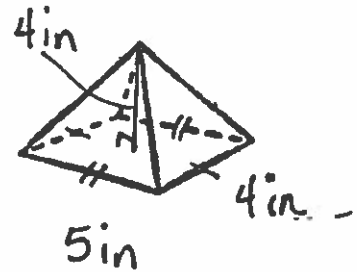
$$\text{Volume} = 2000\pi \text{ in}^3$$

7. Find the volume of the solid.

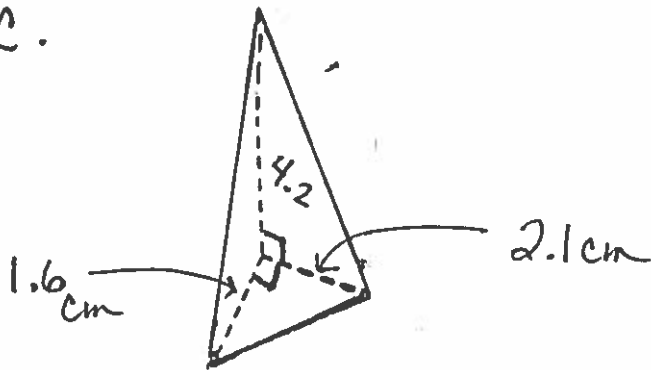
a.



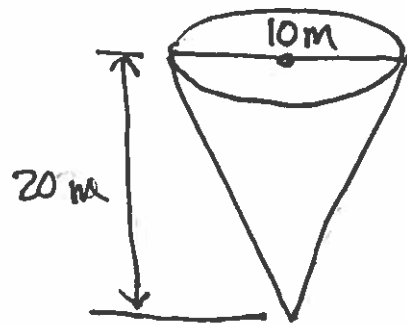
b.



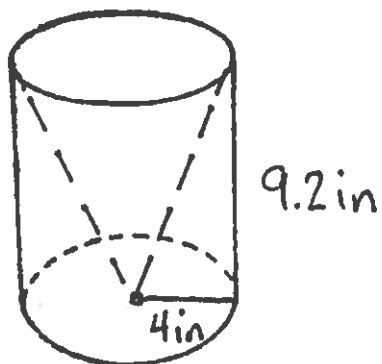
c.



d.

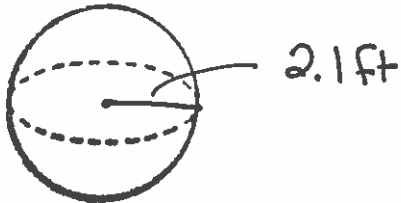


8. Find the volume of the solid.

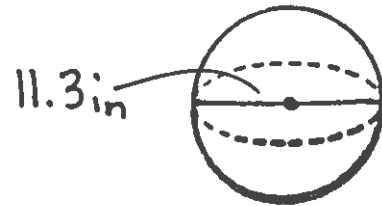


Find the surface area of the sphere.

9. a.



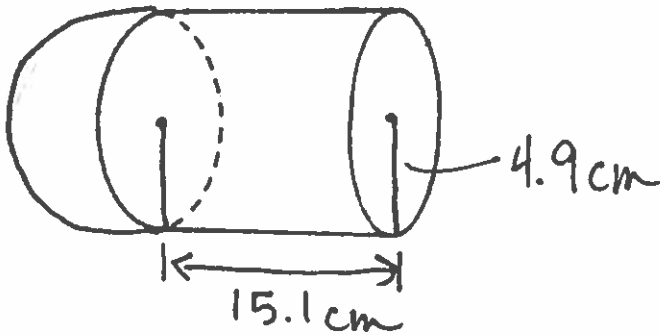
b.



Find the volume of the solid. The cylinders and cones are right.

10.

a.



b.

